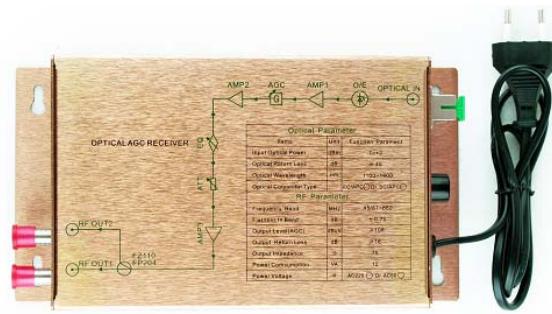


RBR-2105A

FTTB AGC Optical Receiver



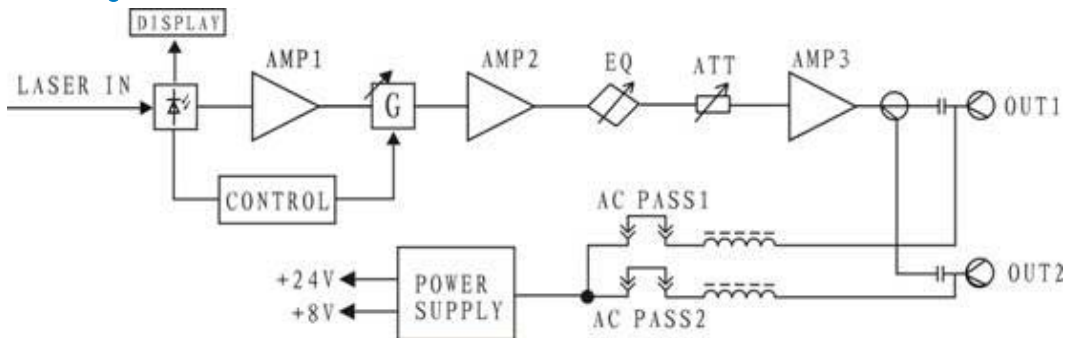
Application

1. FTTB network
2. FTTH network

Features

1. Input optical power -7dBm~+2dBm.
2. Output level 105dBuV.
3. AGC function make steady output level
4. Bi-directional, return transmitter 1~4mW
5. Power supply module build-in
6. Support SNMP management

Block Diagram



Datasheet

Parameter	Unit	Index
Optical Parameter		
Operating Wavelength	nm	1100~1600
Input Power Range	dBm	-7~+2
Return Loss	dB	≥45
Fiber Type	/	Single Mode
Connector Type	/	SC/APC Or FC/APC
RF Parameter		
Frequency	MHz	45/87~750/862
Flatness	dB	±0.75
Return Loss	dB	≥16
Output Level	dBuV	105
Attenuation	dB	0~15 (Fixed plug-in)
Equalizer	dB	0~15 (Fixed plug-in)
Link Parameter		
CNR	dB	>51
CTB	dBc	≤-65
CSO	dBc	≤-60
General Parameter		
Voltage	V	AC130~265 Or AC35~85
Power Loss	W	<10W
Working Temp.	°C	-40~60
Storage Temp.	°C	0~50
Dimension	mm	235*125*55
Weight	kg	1