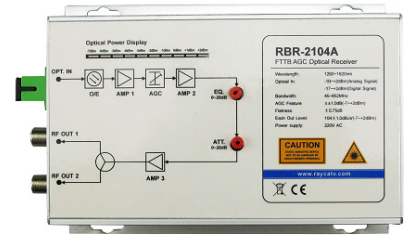


RBR-2104A

45~862MHz FTTB AGC Optical Receiver
(-7~+2dBm LED indicator)



Product Description

RBR-2104A series FTTB optical receiver is designed for CATV network FTTx application; It builds-in RF interstage gain adjustment and equalization. One output and two output with high level power insert option, AGC function make the stable output level from -7~+2dBm, input power LED display on the front panel.

Related model RBR-2104A/WD: Built-in CWDM, RF operation wavelength 1550nm, 1310/1490nm wavelength by pass, used for FTTx PON network.

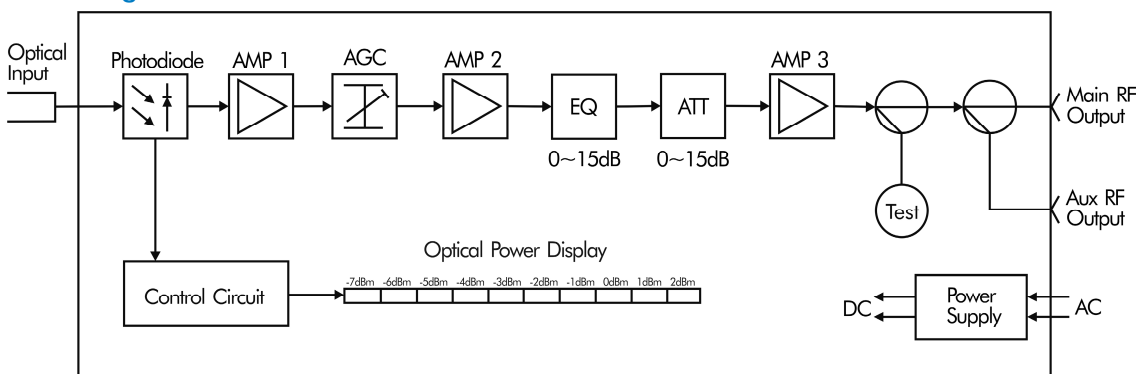
Application

1. FTTH network
2. FTTB network

Features

1. Work bandwidth 45~862MHz.
2. AGC function.
3. Extremely -17dBm low input power receive.
4. LED state indication of optical power.
5. Output level and slope adjustable.
6. One port output or two output port optional.
7. Low power consumption design, less than 15W.
8. Network management control makes optical node monitorable and manageable.

Block Diagram



Datasheet

| Parameter | Unit | Index |
|---|------|--|
| Optical Parameter | | |
| Operating Wavelength | nm | 1260~1620 |
| Responsively | A/W | > 0.85 (1310nm) > 0.9 (1550nm) |
| Input Power Range | dBm | -10~+2 (Analog TV) -17~+2 (Digital TV) |
| AGC range | dBm | -7~+2 |
| Return Loss | dB | >50 |
| Optical power monitor indicator | / | -7~+2 |
| Optical Connector | / | SC/APC or FC/APC |
| RF Parameter | | |
| Work Bandwidth | MHz | 45~862 |
| Flatness | dB | ≤±1.0 |
| AGC Stability | dB | ≤±1.0 |
| Output Level | dBuV | 104 |
| Slope Adjust Range | dB | 0~15 |
| Output level adjust | dB | 0~15 |
| Output Impedance | Ω | 75 |
| Return Loss | dB | ≥14 |
| RF connector | / | F-female |
| Link Parameter (Analog TV line feature) | | |
| Test channel | / | 47-550MHz 59CH PAL-D 550-862MHz Digital QAM |
| OMI | % | 3.8 |
| CNR1 | dB | 54.6 @ -2 dBm |
| CNR2 | dB | 48.6 @ -7 dBm |
| CSO | dB | >65 @ -2 dBm |
| CTB | dB | >70 @ -2 dBm |
| HUM | dB | ≤-60 |
| Link Parameter (Digital TV line feature) | | |
| Test Channel | / | < 10CH Analog Digital QAM 47-862MHz |
| MER | dB | 35 @ -7~+2dBm 30 @ -16dBm |
| BER | dB | < 1.0E-9 |
| General Parameter | | |
| Power Consume | W | <15 |
| Operating Temperature | | -40~+60 |
| Storage Temperature | | -40~+65 |
| Related Humidity | % | 5~59 |
| Power Supply | V AC | 130~265 |
| Dimension | mm | 173*100*40 |
| Weight | kg | 0.6 |