

# RCA-8100

## Bi-directional Trunk Amplifier

### Application

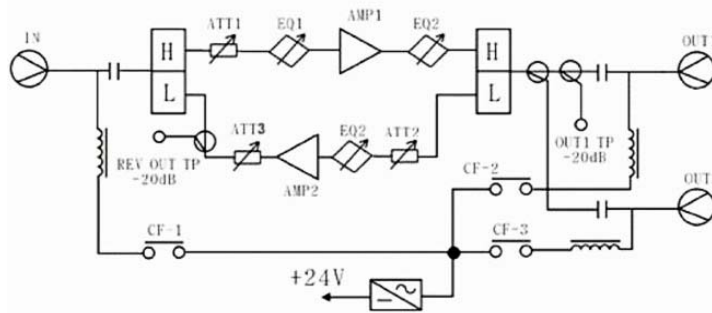
1. HFC network

### Features

1. Aluminum waterproof housing with good heat-dissipation.
2. Excellent CTB and CSO at high output level.
3. Bandwidth: Forward 47/54/87~750/862/870; Reserve:5~30/42/65.
4. Input level 72~75dBuV.
5. Output level 98~102dBuV.
6. Forward amplification module use Motorola or Philips.
7. One output or Two outputs option. (Two outputs 3~4dB gain less).



### Diagram



### Datasheet

Parameter	Unit	Forward Path	Reverse Path
Frequency Band	MHz	47/54/87~750/862/870	5~30/42/65
Operating Gain	dB	35±10	15~21
Gain Adjust Range	dB	0~20	0~20
Band In Flatness	dB	±0.75	±0.75
Input Level	dBμV	>72	>75
Output Level	dBμV	98, 102	90, 96
Noise Figure	dB	≤10	≤10
CSO	dB	68 63	
CTB	dB	67 62	
Input/Output Return Loss	dB	≥16	
Carrier Hum Ratio	dB	≥66	
Shock Resist Voltage	KV	5(10/700μS)	
Power Voltage	V	AC60/AC220(50Hz)	