

# RCA-8130C

## Bridge Trunk Amplifier (Support EOC)



### Product Description

RCA-8130C bridge trunk amplifier is designed to fit the low frequency EoC technology. During the 5~860MHz design bandwidth, it can be arbitrarily divided the up and down stream frequency by duplex. The upstream directly power up which can effectively reduce to use the repeater of EoC system, making the network more reliable, and installation more convenient.

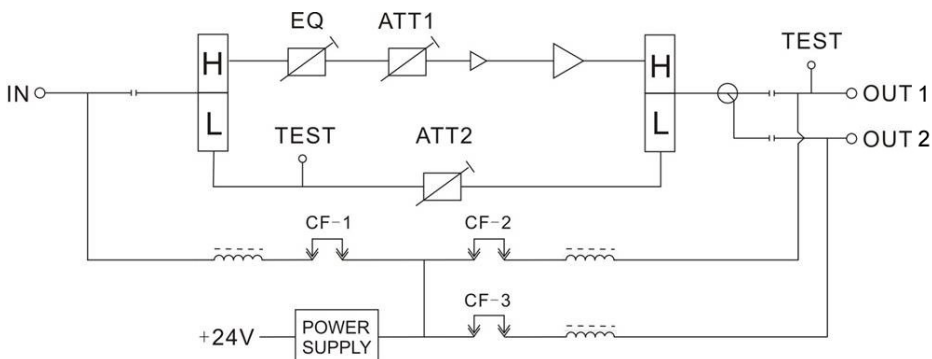
### Application

1. HFC network.
2. EOC network

### Features

1. Bandwidth 5~860MHz, satisfy analog, digital and EOC signal transmission.
2. Circuit design adopts pre-amplifier and last stage GaAs MMIC technology to prove the output level.
3. Equalizer and attenuator plug-in type realize fixed and adjustable option.
4. Use advanced duplex filter.
5. Output level 98~102dBuV.

### Diagram



## Datasheet

Parameter	Unit	Forward path
Operating Bandwidth	MHz	5~860
Operating Gain	dB	26~30
Gain adjustable range	dB	0~20
Flatness in band	dB	±0.5
Input level	dBuV	>72
Output level	dBuV	98 102
Noise figure	dB	≤8
CSO	dB	70 66
CTB	dB	75 67
Return loss	dB	>16
Hum	dB	≥66
Impulse withstand voltage	KV	5(10/700 μ S)
Supply voltage	V	AC60 or AC220(50Hz)