

# RCA-8200

## Bi-directional Line-Extender Amplifier



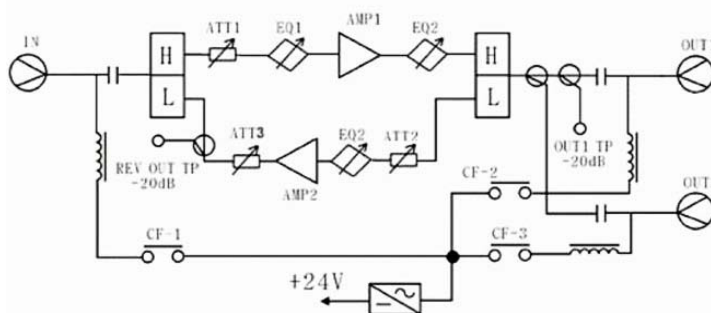
### Application

1. HFC network

### Features

1. Aluminum waterproof housing with good heat-dissipation.
2. Forward path use dual amplification modules; Return path single amp. module.
3. Bandwidth: Forward 47/54/87~750/862/870; Reserve: 5~30/42/65.
4. Input level 72~75dBuV.
5. Output level 98~102dBuV.
6. Plug-in structure design for more setting.
7. Gain adjustable range: fixed 1,3,5,7.
8. One output or Two outputs option. (Two outputs 3~4dB gain less).

### Diagram



### Datasheet

Parameter	Unit	Forward Path	Reverse Path
Work Bandwidth	MHz	47 ~ 750/860(87 ~ 750/860)	5 ~ 35(5 ~ 65)
Operating Gain	dB	26 ~ 30	15 ~ 21
Gain Adjust Range	dB	Fixed 1,3,5,7.....	Fixed 1,3,5,7.....
Flatness In Band	dB	±0.5	±0.5
Input Level	dBμV	>72	>75
Output Level	dBμV	98 102	90 96
Noise Figure	dB	≤8	≤8
CSO	dB	70 66	
CTB	dB	75 67	
Return Loss	dB	≥16	
Carrier Hum Ratio	dB	≥66	
Shock Resist Voltage	KV	5(10/700μS)	
Power Voltage	V	AC60/AC220(50Hz)	