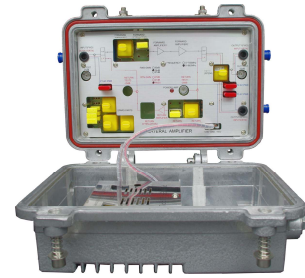


RCA-8300

Bi-direction Bridge Amplifier

Application

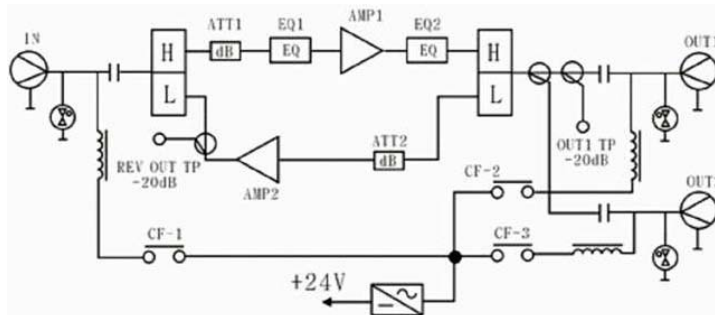
1. HFC bi-direction network



Features

1. Use in last 1KM in CATV bi-direction transmission network.
2. Forward and return path use imported RF modules.
3. Less power consumption.
4. Input level 72dBuV.
5. Uplink Max. output level 110dBuV.
6. One output or Two outputs option. (Two outputs 3~4dB gain less).

Diagram



Datasheet

	Parameter	Unit	Index
Downlink	Work Bandwidth	MHz	47/84~860
	Gain	dB	30
	Band-in Flatness	dB	±0.75
	Input Level	dBμV	72
	Output Level	dBμV	102
	Noise Figure	dB	≤8
	C/CTB	dB	≥58
	C/CSO	dB	≥56
Uplink	Return Loss	dB	≥16
	Work Bandwidth	MHz	5-30/65
	Band-in Flatness	dB	≤±0.75
	Return Loss	dB	≥16
	Max. Output Level	dBμV	≥110
	CTB	dB	≥52
General Parameter	Signal AC Ratio	dB	<2
	Impedance	Ω	75
	Ability Of Anti-lightning	KV	5(10/700μS)
	Power Voltage (50Hz)	V	Switch Power: (150-260)V, (30-60)V
	Power Consumption	W	15