

RIR-1100

Indoor Forward Path Optical Receiver (AGC)



Product Description

RIR-1100 series is an AGC forward path indoor optical receiver, use 19" 1U casing. It adopts Philip optical receiving module, end-grade adopts power-doubling module. It is widely used in CATV HFC network.

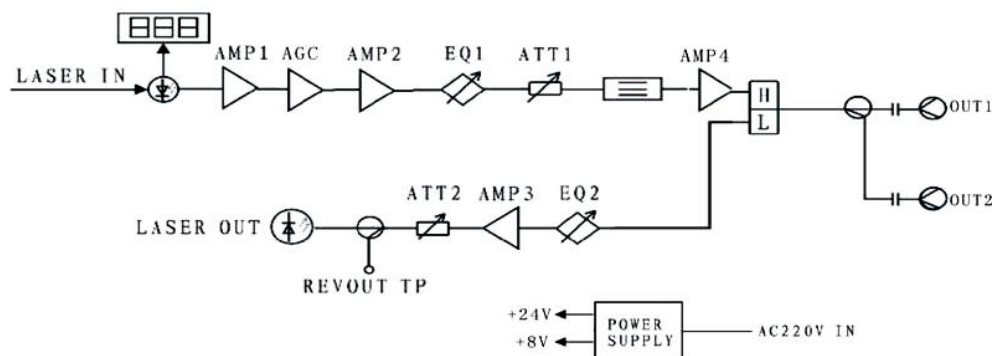
Application

1. For hybrid fiber coax (HFC) networks

Features

1. Standard 19inch 1U casing with big radiator on side.
2. Input power range $-7 \sim +2\text{dBm}$.
3. Output level $100 \sim 105\text{dBuV}$.
4. Output level attenuator and equalizer adjustable.
5. Optical receive power display screen show input power, unit "mW".
6. Power switch with indicator.
7. Automatic Gain Control (AGC) function.
8. Reserved port on the back panel for network management.

Block Diagram



Datasheet

Parameter	Unit	Index
Optical Parameter		
Wavelength	nm	1100~1600
Input Power Range	dBm	-7~+2
Connector Type	/	FC/APC Or SC/APC
RF Parameter		
Bandwidth	MHz	45-862
Flatness	dB	$\leq \pm 0.75$
Return Loss	dB	≥ 16
Input Impedance	Ω	75
Output Level	dBuV	100~104
Channels	/	PAL-D/60ch
Link Parameter		
CNR	dB	≥ 51
CTB	dB	≤ -68
CSO	dB	≤ -65
General Parameter		
Power Supply	V	90~265 Or -48V DC
Power Loss	W	≤ 30
Working Temp.	$^{\circ}\text{C}$	0~50
Storage Temp.	$^{\circ}\text{C}$	-20~65
Dimension	mm	483*200*44
Weight	kg	2.5