

# RIR-2040

## 4 Ways Return Path Indoor Optical Receiver



### Product Description

RIR-2040 series return path optical receiver is designed for the indoor CATV return signal receiving. In the 19" 1RU rack, there are maximum 4 independent return path optical receivers. With high performance photodiode and hybrid amplifier, it offers a clean return path band for Cable Modem up-streaming signals. Optical power indicator and RF test port on the front panel can indicate receiver's status.

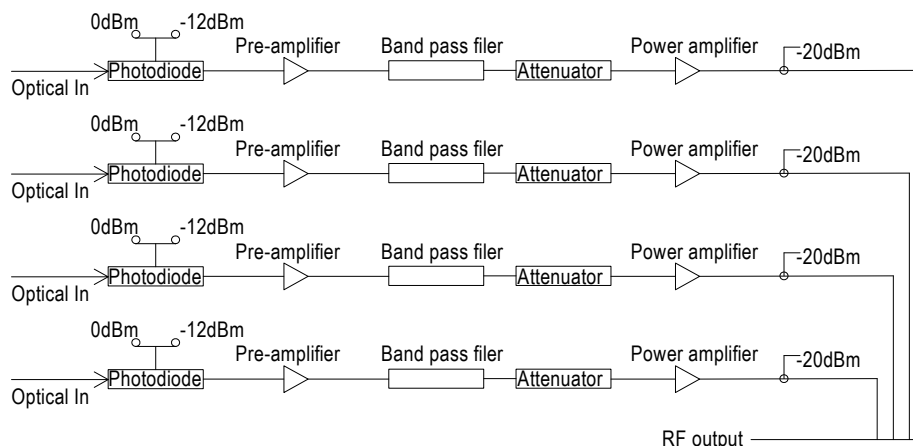
### Application

1. For hybrid fiber coax (HFC) networks

### Features

1. 1550nm/1310nm dual wavelength.
2. Low noise figure, up to -15dBm receive sensitivity
3. 19" 1U casing includes 4 separated receiving modules.
4. For video, audio, data or mix of these signals ' return path transmission
5. Band pass filter depressing the up-streaming noise
6. Every receive module has -20dB RF test point and optical photocurrent test points

### Block Diagram



## Datasheet

Parameter	Unit	Index	
<b>Optical Parameter</b>			
Operating Wavelength	nm	1100~1600	
Input Power	dBm	-15~+3	
Suggest input power	dBm	-10~0	
Optical Return Loss	dB	≥50	
Fiber Connector	/	FC/APC or SC/APC	
<b>RF Parameter</b>			
Frequency range	MHz	5~200	
Output Level	dBmV	20@-8dBm optical input	
Flatness in band	dB	±0.75	
RF Return loss	dB	≥16(5~200 MHz)	
Output Impedance	Ω	75	
RF Test Port	dB	-20	
Noise Ratio	DFB laser	dB	≥15
	FP laser	dB	≥10
<b>General Parameter</b>			
Power Supply	V	AC220V or DC-48V	
Power Consumption	W	10	
Working Temp.	°C	0~50	
Store Temp.	°C	-45~85	
Dimension	mm	480*325*44	
Weight	Kg	8	