

ROA-3500

Roman Fiber Optical Amplifier



Product Description

ROA-3500 is high power Raman Amplifier which is used in low noise, long span or high speed optical transmission system. Using transmission fiber as the gain medium to form distributed to enlarge, reduce system noise and will get best gain and noise index mix with our company EDFA product.

Each Pump output power can be adjustable independently which is suitable for a variety network applications and to enlarge the bandwidth.

Intelligent network management system. Perfectly network interface: Ethernet, RS-485 and RS-232 network, and the open network management interface ensure the connectivity with all other network management system.

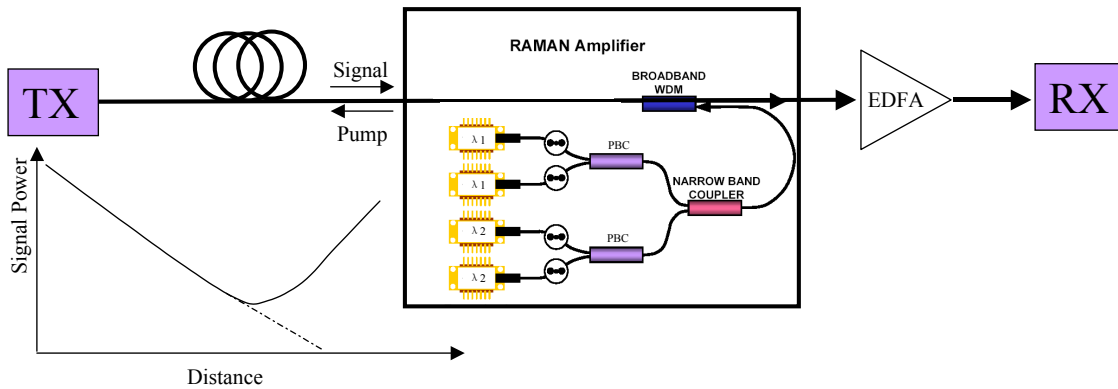
Application

1. SDH, ATM telecom long distance optical transmission
2. Analog digital TV long distance optical transmission system
3. Long span system
4. 10G, 40G System

Features

1. Distributed low-noise amplification.
2. 1U rack 19" housing.
3. Easy control and operate: dual CPU processes control loops and the upper interface respectively.
4. High stability and reliability: MTTF>150000 Hours.
5. Perfect Network management interface: Ethernet,RS-485 and RS-232.
6. With SNMP Network management or provide SNMP Mib.
7. Single channel, DWDM or C+L band is available.
8. Intelligent temperature control system: Power consumption and hot radiation reduce 30% than common products.
9. Pump polarization-independent design.
10. OEM is available.

Block Diagram



Datasheet

Parameter	Unit	Index
Optical Parameter		
Operating Wavelength	nm	1525~1565
Pump wavelength	nm	1425~1505
Pump output power	mW	500~1000 optional
ON/OFF Gain	dB	6~14 optional
Gain Flatness	dB	1 (For DWDM System)
Polarization Dependent Gain	dB	0.3
PMD	ps	0.3
Relative Noise Figure	dB	0
General Parameter		
Power supply	V	220VAC, 110VAC, 48VDC
Power Consumption	W	40
Operation Temperature	°C	50
Storage Temperature	°C	80
Humidity	%	85
Dimension	mm	483*381*44.5
Weight	kg	5