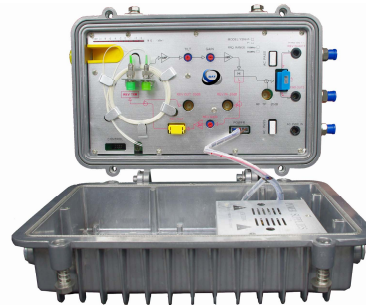


ROR-8020

Two Outputs BI-DI HFC Optical Node



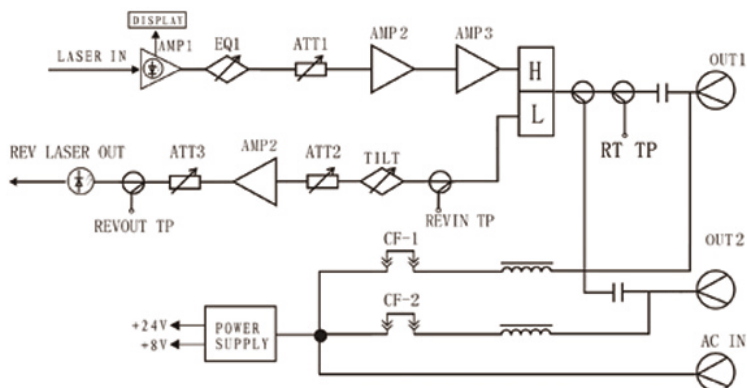
Application

1. HFC network
2. RFoG network
3. FTTx Network

Features

1. Adopts GaAs MMIC module.
2. Waterproof outdoor aluminum casing.
3. Bi-direction transmission.
4. Input power range $-6 \sim +2\text{dBm}$.
5. Two outputs, max output level 102dBuV .
6. Return path transmitter power $1 \sim 4\text{mW}$.
7. Support SNMP management.

Diagram:



Datasheet

Parameter		Unit	Index
Optical Parameter			
Forward Path	Operating Wavelength	nm	1100~1600
	Input Power Range	dBm	-6~+2
	Return Loss	dB	≥45
	Connector Type	/	SC/APC Or FC/APC
Return Path	Operating Wavelength	nm	1310±10
	Transmitter Power	mW	1~4
	Return Loss	dB	≥45
	Connector Type	/	SC/APC
RF Parameter			
Forward Path	Work Frequency	MHz	55/87~750/862
	Flatness	dB	±0.75
	Output Level	dBuV	102
	Return Loss	dB	≥16
	Impedence	Ω	75
Return Path	Work Frequency	MHz	5~40/65
	Flatness	dB	±1
	Input Level	dBuV	85~90
	Return Loss	dB	≥16
Link Parameter			
Forward Path	Channels	/	PAL-D/60ch
	CNR	dB	>51
	CTB	dBc	≤-68
	CSO	dBc	≤-65
Return Path	Channels	/	PAL-D/60ch
	CNR	dB	>50
General Parameter			
General Parameter	Voltage	V	AC150~ 265/AC35~90
	Power Loss	W	<30
	Working Temp.	°C	0~50
	Storage Temp.	°C	-20~65
	Dimension	mm	270*220*115
	Weight	kg	4