

# ROR-8800

## FTTC Four Outputs BI-DI Optical Node



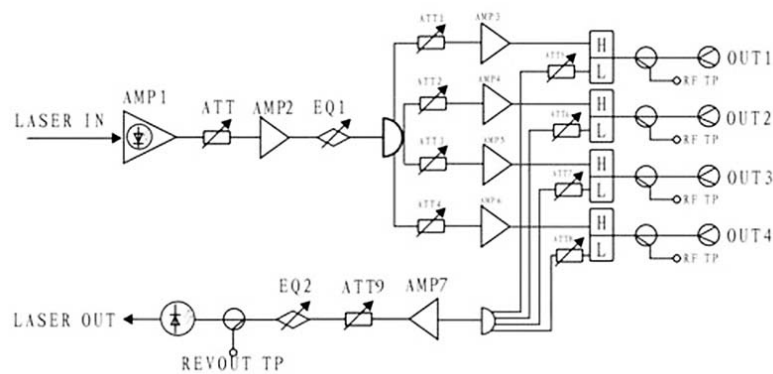
### Application

1. HFC network

### Features

1. Large Aluminum housing.
2. Separated four ports with high output level, each port remotely managed.
3. Input power range  $-6 \sim +2\text{dBm}$ .
4. Each port output level adjustable in range.
5. Four outputs, output level  $108\text{dBuV}$ .
6. Return path transmitter power  $1 \sim 4\text{mW}$ .
7. Adopt low noise pre-amplifier module for lower power receive situation.
8. Forward receiver power shows by LED directly.
9. Leader product in HFC network.

### Diagram



## Datasheet

Parameter	Unit	Index
<b>Optical Parameter</b>		
Wavelength	nm	1100~1600
Input Power Range	dBm	-6~+2
Return Loss	dB	≥45
Connector Type	/	SC/APC Or FC/APC
Optical Detector Type	/	InGaAs PINBGE887BO
<b>RF Parameter</b>		
Frequency	MHz	45~862
Flatness	dB	±0.75
Impedence	Ω	75
Return Loss	dB	≥16
Attenuation	dB	Insertor chosen
Slope	dB	Insertor chosen
Output Level	dBuV	108
Input Level	dBuV	>85
<b>Link Parameter</b>		
Channels	/	PAL-D/85ch@-1dBm input
CNR	dB	>51
CTB	dBc	≤-61
CSO	dBc	≤-65
<b>General Parameter</b>		
Voltage	V	AC180V~250V/AC60V
Power Loss	W	<50W
Working Temp.	°C	-10~50
Storage Temp.	°C	-20~65
Dimension	mm	380*230*165
Weight	kg	7